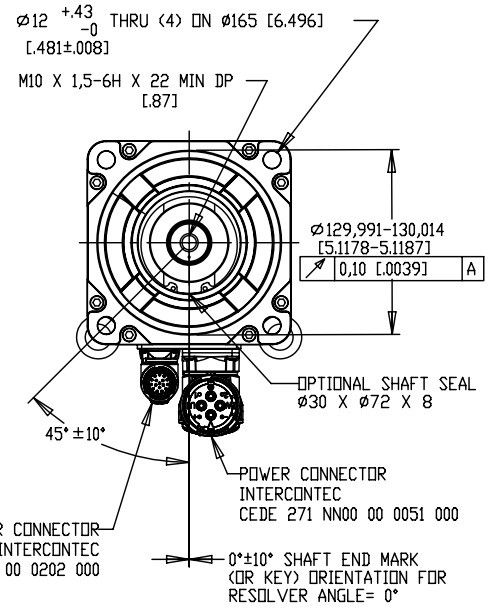
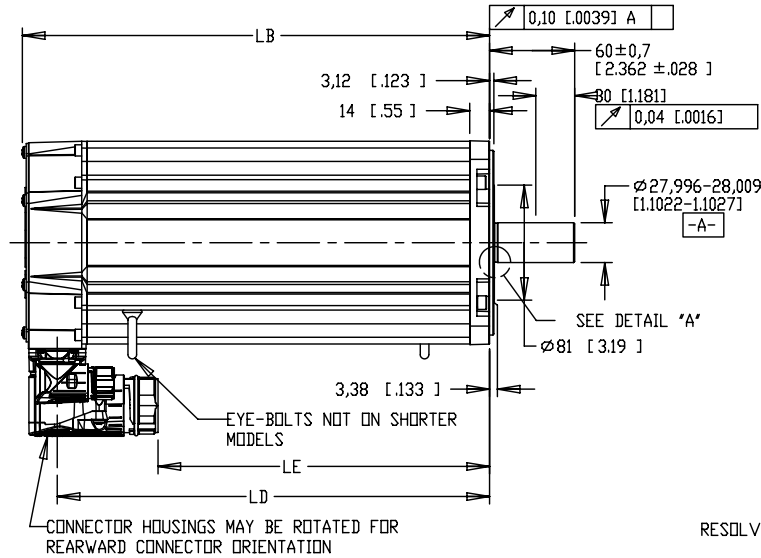
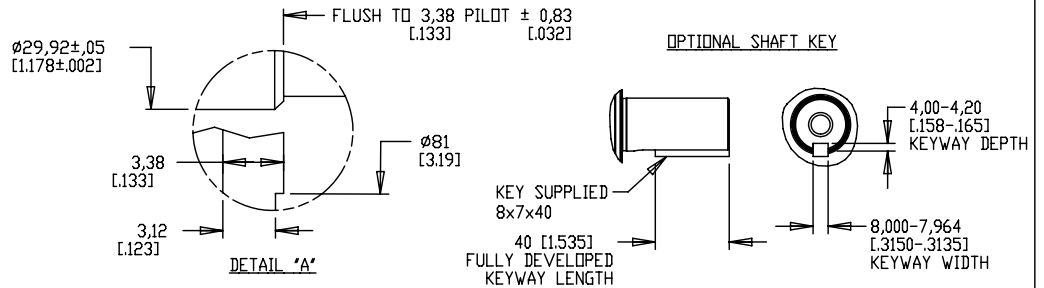


MODEL	LB	LD	LE
MPM-x1651	278,1 [10.95]	253,5 [9.98]	182,4 [7.18]
MPM-x1652	328,9 [12.95]	304,3 [11.98]	233,2 [9.18]



PIN-OUT	
PIN	FUNCTION
U	U
V	V
W	W
$\oplus$	GND
+	MBRK+
-	MBRK-
1	-
2	-

PIN-OUT	
PIN	FUNCTION
1	S2
2	S4
3	S1
4	S3
5	R1
6	R2
7	-
8	-
9	-
10-12	-
13	TS +
14	TS -
15-17	-



NOTE: 1. DXF FILE OF THIS DRAWING MUST BE SCALED TO LENGTH, SEE CHART ABOVE. MODEL SHOWN IS MPM-x1652x-xx74AA.  
2. 3D STEP (.stp) FILES AVAILABLE AT ALL LENGTHS.

REFERENCES		DESCRIPTION	CAD DOCUMENT
VERSION	UNLESS OTHERWISE SPECIFIED	ESM,MPM-x165xx-2x74AA	Allen-Bradley
00	DO NOT SCALE DRAWING DIMENSIONS ARE IN MILLIMETERS WITH INCHES REFERENCED (X1 UNTOLERANCED) DIMENSIONS ARE REFERENCE	M40 CONNECTOR	
		<b>Rockwell Automation</b>	
		DR. S. JOHNSON	DATE 7/22/09
		SHEET 1 OF 1	
		DWG. DOCUMENT NUMBER	
		SIZE 10000067922	